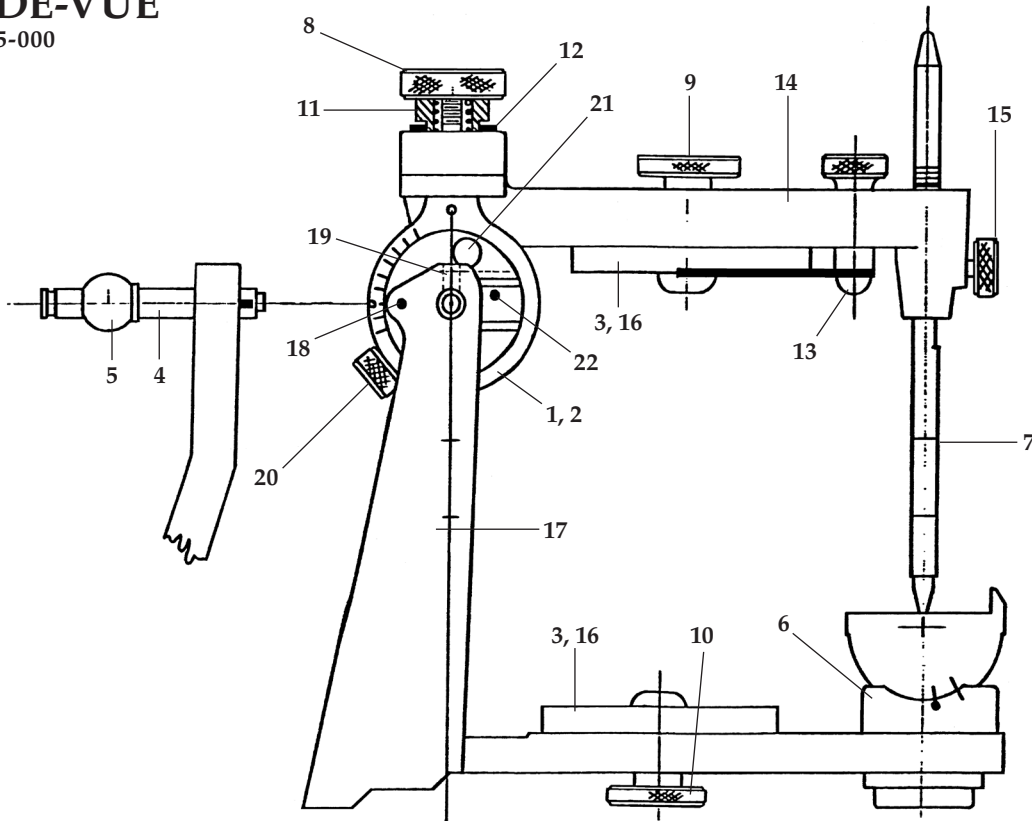


HANAU™ PARTS LIST

WIDE-VUE
010885-000

PART #: 20000641
EFFECTIVE: 4-1-11
SUPERSEDES: 8-1-10



Key #	Part #	Description
1		Condylar Guide (Right)*
2		Condylar Guide (Left)*
3	34573-8	Mounting Plate
4		Condyle Shaft*
5	009577-000	Condyle Element
6	010731-000 010740-000	Adjustable Incisal Guide (Model 010885-000) (Model 010884-000)
7	010739-000	Incisal Pin
8	009535-000	Thumbnut
9	009579-000	Thumbscrew
10	010079-000	Thumbscrew
11	005115-000	Spring

Key #	Part #	Description
12	010782-000	Swing Top
13	005052-000	Orbital Indicator
14		Upper Member*
15	005182-000	Thumbscrew
16		Pin*
17		Lower Member*
18		Spring Pin*
19	008681-000	Set Screw
20	005178-000	Thumbnut
21	005204-000	Centric Lock
22	005198-000	Centric Riser Pin

* Factory Repair Required



RESTORATIVE ORAL HEALTH
Whip Mix Corporation
361 Farmington Avenue
Louisville, KY USA 40209
Toll-Free: 800-626-5651
Fax: 502-634-4512
www.whipmix.com